



SIEMENS



Powered by
RAX
technology



Multitom Rax

Join the new movement with robotic X-ray

[siemens.com/multitom-rax](https://www.siemens.com/multitom-rax)



Multitom Rax

Join the new movement with robotic X-ray

In today's healthcare environment, excellent patient care and outstanding productivity often compromise each other. Robotic Advanced X-ray – RAX – supports your institution in streamlining hospital pathways while improving diagnostic insights and treatments.

How? With one scanner that offers a multitude of X-rays – in just one room and at an expert level. With movements that create natural Real 3D images¹⁾ – even under weight-bearing conditions. With an open design that reduces patient transfers, pain, and anxiety while offering more space to perform interventions. With twin robots to simplify, standardize, and speed up operations. All with the goal of accelerating productivity and allowing humans to do what they do best – care for patients.

Prepare yourself for the future with the world's first Twin Robotic X-ray scanner – achieving a new level of excellence in diagnostic imaging.

Perform a multitude of X-rays –
in just one room

See reality with Real 3D –
for the first time

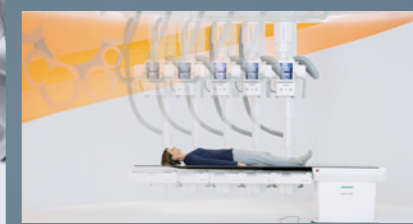
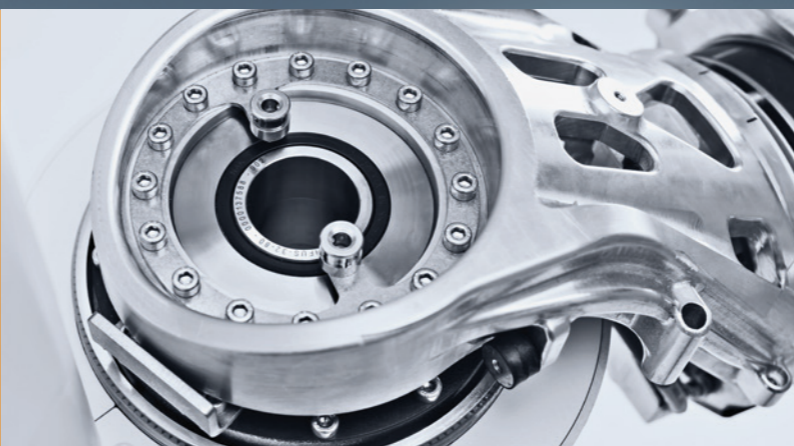
Let the robots move –
not your patients

Define standards easily –
and multiply your productivity

Be future-proof –
with Twin Robotic X-ray

RAX
stands for Robotic Advanced X-ray – the unique technology that introduces robotic automation in X-ray.
Let yourself be inspired by the motion concept that enables new clinical insights, optimized patient care, and high quality and productivity through standardization.

RAX –
explore the technology behind it



¹⁾ Only in combination with additional workstation syngo X workplace

Perform a multitude of X-rays – in just one room

In clinical institutions, asset utilization often differs from one modality to the next. Underutilization results in unjustified capital tie-up and costs, while over-utilization leads to a high workload with longer patient wait times.

Improve your asset utilization and save on room costs with Multitom Rax – by integrating multiple X-ray capabilities in one room.

Do more at lower room cost

Even rooms with low utilization involve expenses for space, energy, cleaning, and more. Reduce these costs by performing a multitude of procedures in your Multitom Rax room. Benefit from excellent whole-day utilization while relieving your CT from peak loads and patient queues.

Discover versatility at the expert level

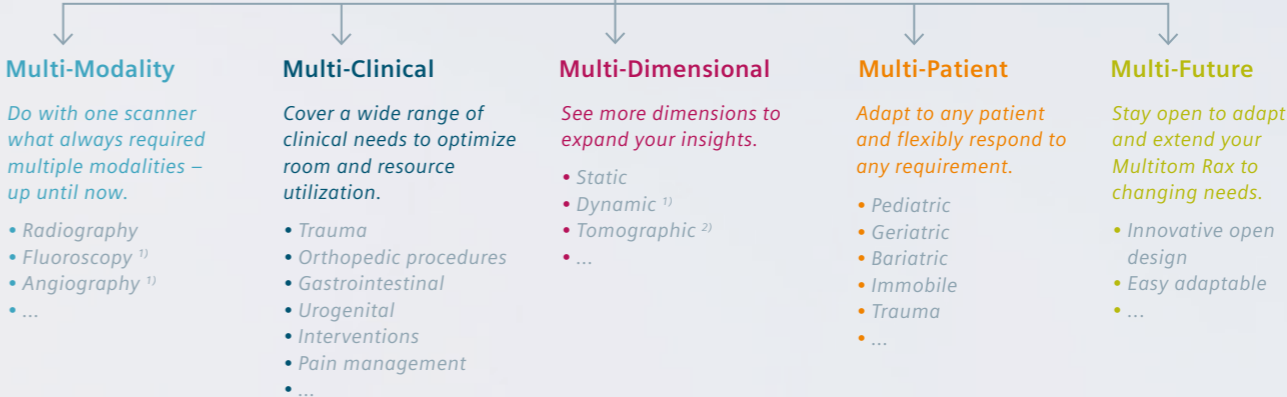
Multitom Rax' unique scanner design offers previously unseen versatility along with the broadest possible range of applications – all with robotic precision and consistent quality at the expert level. Combining a multitude of capabilities in just one room can help streamline your operations: for example, perform interventions and follow-up X-ray images in one room – and always stay with your patients.

Minimize patient transfers and risk

If it takes more than one modality to make a sound diagnosis, patient transfers are inevitable – leading to increased risk, wait time, and tied-up resources. Use Multitom Rax' multi-expert capabilities to minimize transfers, provide diagnoses and treatment faster, and increase your patients' satisfaction.



Multitom Rax



¹⁾ Option
²⁾ Option, only in combination with additional workstation syngo X workplace

See reality with Real 3D – for the first time

The human anatomy looks different under natural weight-bearing conditions than in the horizontal position – and certain cases require 3D images for diagnosis and treatment planning.

Today's modalities have arrived at their limit – which hampers the realistic assessment of malpositions. See the unseen with Multitom Rax, the first scanner that allows exams and diagnoses under weight-bearing conditions in Real 3D¹⁾ – and yields new clinical potential.

See what's causing the pain

With Multitom Rax, you have unique options for determining the malpositions and the cause of pain. Acquire Real 3D images under natural conditions, in the position where your patient feels pain: lying, sitting, or standing. Real 3D

helps you gain new insights, increase the accuracy of your diagnosis and treatment planning, and spare your patients additional pain – while accelerating your procedures.

From 2D to Real 3D in one room

Multitom Rax lets you step up from a 2D exam to a Real 3D exam in one room without the need for rescheduling or patient transfers. Provide a wide range of Real 3D exams on the Multitom Rax tabletop, tableside, or standing – with low-dose protocols.

Stay competitive with new insights

Unique Real 3D with Multitom Rax helps you clearly differentiate from the competition. Get ahead and you'll be even more attractive to patients, referrers, and employees.

Body lying



Hand and extremities



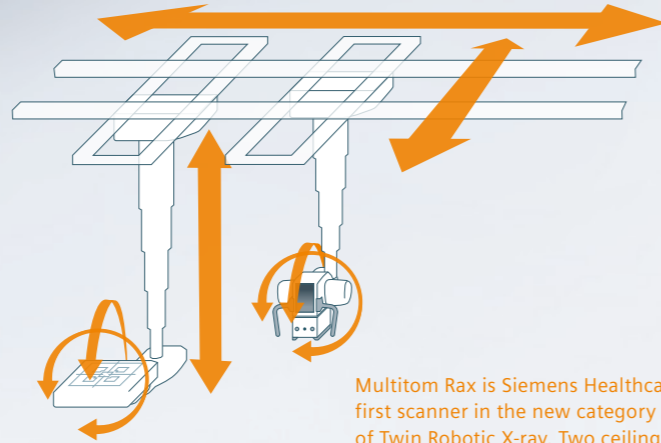
Standing, weight-bearing

Other systems are limited in their versatility, can provoke claustrophobic fear, or only provide renderings of 2D images rather than full 3D information. Multitom Rax enables a wide range of Real 3D exams – including natural Real 3D under weight-bearing conditions to see the unseen.



¹⁾ Option, only in combination with additional workstation syngo X workplace

Explore the technology behind it: RAX – Robotic Advanced X-ray



Multitom Rax is Siemens Healthcare's first scanner in the new category of Twin Robotic X-ray. Two ceiling-suspended arms with five axes each enable unique positioning freedom.



Both ceiling stands can move in parallel and independently.



RAXalign: Twin robotic alignment with one click – for fewer retakes.

Twin robotic arms – full positioning freedom

Two independent ceiling-suspended robotic arms move the tube head and the RAX detector. The motion concept allows virtually unlimited positioning freedom and projections from all angles. This lets Multitom Rax adapt to all patient needs and individual situations – like no other scanner.

Twin FAST – faster and safer to the target

A patent-protected software algorithm lets both arms slide to any position in the room. Whatever the starting position, they always take the shortest, fastest, and safest route. Fast and ultra-sensitive movements help increase your productivity and make your patients feel comfortable.

RAXalign – always in the right position

Thanks to the intelligent RAXalign functions, the tube and the RAX detector always position themselves in an orthogonal position – automatically. That's how the RAX technology helps minimize distorted images and prevents repeated procedures for your patients.

RAXtrack – high-precision robotic tracking

RAXtrack is twin robotic tracking in virtually all axes and angles. The tube head follows the built-in detector and vice versa for streamlined operations and less manual worksteps.

Let the robots move – not your patients

Every patient movement can cause pain, increase the risk of injuries and complaints, require physical effort from staff, and cost you time.

Here's a better way: Let the scanner revolve around your patients. With its RAX technology, Multitom Rax precisely positions and aligns itself – even in challenging situations like trauma treatment.

Reduce movements – reduce risks

With its automated movements, Multitom Rax adapts to every patient, individual situation, and clinical need. As a result, you need fewer transfers between modalities and less patient repositioning during procedures. Diagnostic and therapeutic workflows are faster, cause less pain, and lower the risk of patient injury.

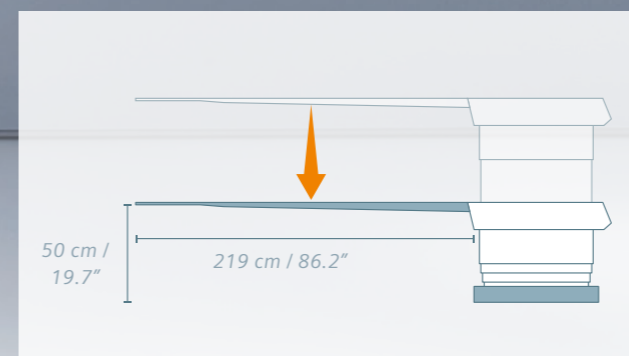
Increase your patient focus – in every detail

Caring for patients or focusing on technology – with Multitom Rax, there's no question what comes first. Caregivers have a barrier-free 360° patient access, even with additional equipment for interventions. All scanner movements can be controlled without leaving the patient's side. Because it's height-adjustable from 50 to 92 cm (19.7" to 36.2") and its table weight capacity of up to 240 kg (529 lbs), the flat tabletop can accommodate patients of any age, size, and condition.

Let satisfied patients speak for you

With Multitom Rax, the patient is the focus – which can positively impact the time and quality of treatment. Just think of reducing costly readmissions and lengthy hospital stays. And satisfied patients will rank your institution higher and contribute to your excellent reputation.

RAXtilt enables an automated 90° tilt of both the RAX detector and tube head. Combined with twin robotic automation, this allows cross-table and lateral exams without the need for patient repositioning.



The versatile tabletop enables easy access for patients of virtually all sizes and weights. It allows head-to-toe exams with no patient repositioning.



Multitom Rax offers unhindered patient access from all sides, making it possible to instantly respond to patient needs. Additional equipment can be stored easily, for example for minimally invasive interventions.

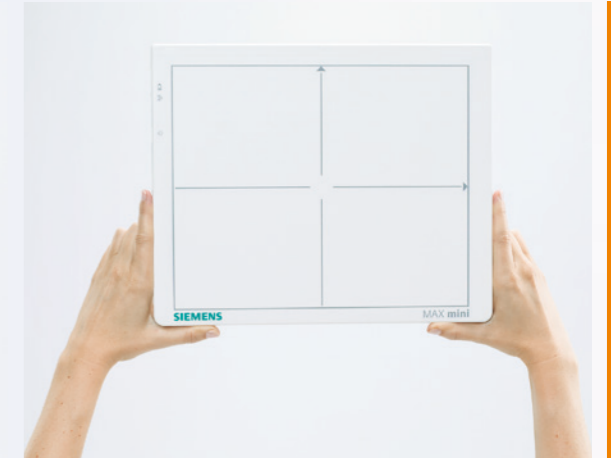


RAXalign – tube and detector always align in the correct position with the push of a button.

Expand your possibilities with MAX detectors:



MAX wi-D¹⁾: MAX your performance with our lightest 35 cm x 43 cm / 14" x 17" detector with a handle.



MAX mini¹⁾: The right size for your exams in pediatrics, orthopedics, trauma, and more: 24 cm x 30 cm / 10" x 12".

Define your standards easily – and multiply your productivity

Because higher productivity is tied to more efficient use of limited resources, it can be challenging to keep – let alone increase – high quality standards in patient care. Multitom Rax helps you achieve your productivity targets while helping you care with excellence. Simplify your workflows and increase asset utilization. Standardize your results for consistent outcomes. And streamline your costs thanks to great synergies within the MAX family, high scanner reliability, and preventive services.

Streamlined workflows, standardized results

Multitom Rax opens new paths to standardized processes and results. Robotic automation minimizes manual work-steps and maximizes the precision of scanner positioning. The result: streamlined workflows, lower risk, perfectly aligned images, and consistent quality of care and diagnosis – no matter who's operating the scanner.

Leverage synergies to the MAX

Welcome Multitom Rax as a new member of the MAX family – with one user interface, one handling concept, and one image impression throughout radiography, fluoroscopy, mobile and Twin Robotic X-ray. No matter what MAX system you're using for your varied exams, your team will immediately know what to do.

¹⁾ Option

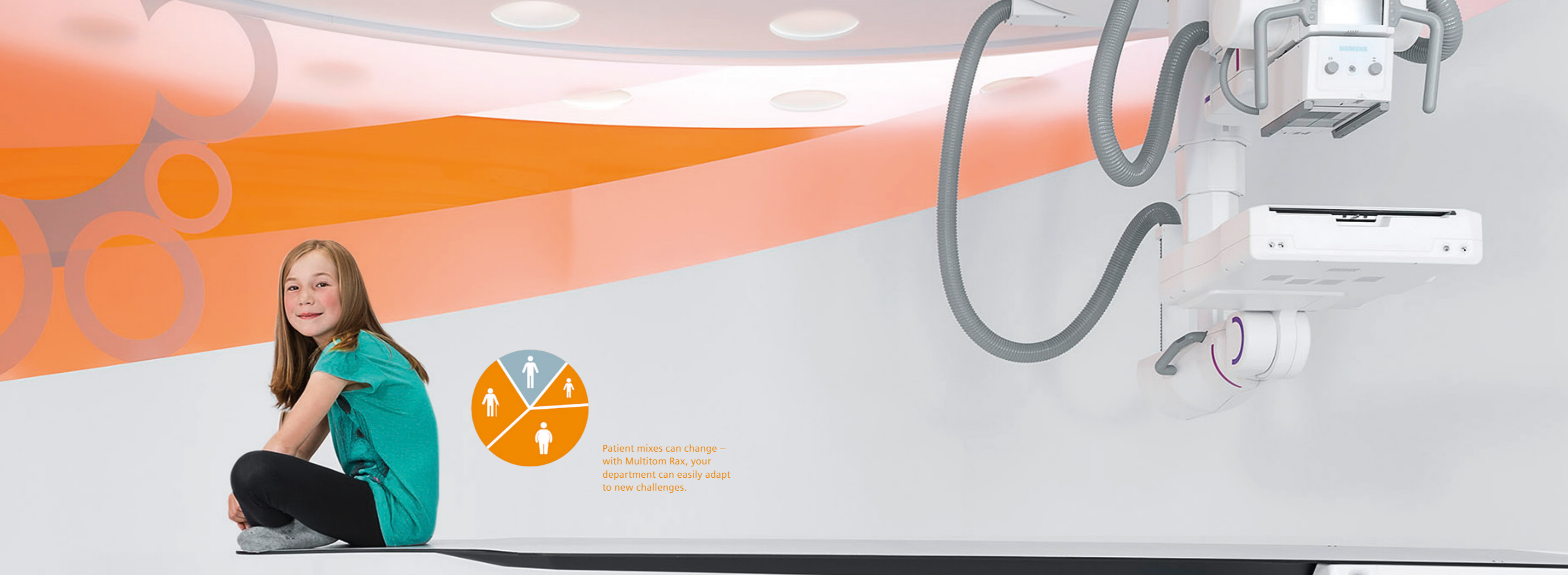
Benefit from reproducible image quality, fewer errors, greater staff flexibility, and reduced training costs.

Share, scale, and save costs

Sharing has become a successful economic principle. With Multitom Rax and the MAX family, you can easily swap detectors fast and safely to save on capital expenditures. And you can grow with your needs – by adding MAX wi-D and MAX mini any time they're needed and swapping them with existing systems.



Thanks to robotic automation and precision, exams and interventions become standardized and reproducible.



Patient mixes can change – with Multitom Rax, your department can easily adapt to new challenges.

Be future-proof – with Twin Robotic X-ray

To make the most of your investment, you want to use a modality for as long as possible. But throughout its lifecycle, many other factors can change – from clinical needs to technological trends to your patient mix. Make your investment future-proof. Multitom Rax is designed to be flexibly adapted to changing requirements – including future applications.

Prepare yourself for a changing patient mix

Can anyone predict what their patient mix will be in 2030? It's ultimately better to stay flexible so you'll be able to adapt to changing requirements. Thanks to its modularity, you can configure your Multitom Rax for what you need today – and easily add the option you might need tomorrow.

Be open to new applications

New clinical capabilities and therapy options are emerging at a rapid rate. The design of the Multitom Rax Twin Robotic X-ray is so advanced that it will be able to integrate new applications for many years to come – including those far beyond the horizon. Thanks to standardization and streamlined workflows, you'll meet your productivity challenges today and long into the future.



Grow with your needs – add MAX wi-D¹⁾ and MAX mini¹⁾ later when needed and swap them with existing systems.

¹⁾Option



Multitom Rax

Join the new movement with robotic X-ray

RAX arm

Detector arm for high-speed positioning with robotic precision in up to 5 axes simultaneously

RAX detector

Integrated 43 x 43 cm (17" x 17") detector for static, dynamic¹⁾, and Real 3D²⁾ imaging
Add MAX wi-D¹⁾ and MAX mini¹⁾ whenever you need

Table

High table weight capacity of up to 240 kg (529 lbs) and lowest table height of 50 cm (19.7") only

Control console¹⁾

Safe system control only at touch of a human hand

Twin FAST

The fastest and safest way to the next position with Twin Robotic movements



Tube stand

Tube stand for high-speed positioning with robotic precision in up to 5 axes simultaneously

MAXtouch

For all information right at the patient side

SIEMENS
Multitom Rax

The world's
first Twin
Robotic X-ray
scanner

¹⁾ Option

²⁾ Option, only in combination with additional workstation syngo X workplace

Experience why detail matters.

Multitom Rax defines a new category of medical X-ray: Twin Robotic X-ray.

Its intelligent Robotic Advanced X-ray technology – RAX – realizes a completely new movement and workflow concept. Two ceiling stands let the tube and the built-in RAX detector move simultaneously. RAXtrack and RAXalign provide perfect tube/detector tracking and alignment, resulting in distortion-free images and eliminating the need for retakes. Unique Real 3D capabilities open up new clinical insights. With these and multiple other capabilities, Multitom Rax fits the widest range of clinical applications and patient requirements into just one room – in a patient-centric and highly productive way.

Multitom Rax: because detail matters.

A close-up, slightly blurred photograph of a white surface, likely a piece of equipment or a wall. The word "SIEMENS" is printed in a large, teal, sans-serif font, slanted upwards from left to right. Below it, the words "Multitom Rax" are printed in a smaller, grey, sans-serif font, also slanted upwards. The background is a soft, out-of-focus light blue-grey gradient.

SIEMENS
Multitom Rax

Multitom Rax is not commercially available in all countries. Due to regulatory reasons their future availability cannot be guaranteed. Please contact your local Siemens organization for further details.

On account of certain regional limitations of sales rights and service availability, we cannot guarantee that all products/services/features included in this brochure are available through the Siemens sales organization worldwide. Availability and packaging may vary by country and are subject to change without prior notice.

The information in this document contains general descriptions of the technical options available and may not always apply in individual cases.

Siemens reserves the right to modify the design and specifications contained herein without prior notice. Please contact your local Siemens sales representative for the most current information.

In the interest of complying with legal requirements concerning the environmental compatibility of our products (protection of natural resources and waste conservation), we may recycle certain components where legally permissible. For recycled components we use the same extensive quality assurance measures as for factory-new components.

Any technical data contained in this document may vary within defined tolerances. Original images always lose a certain amount of detail when reproduced.

Siemens Healthcare Headquarters

Siemens Healthcare GmbH
Henkestraße 127
91052 Erlangen
Germany
Phone: +49 9131 84-0
siemens.com/healthcare