

SWISSLOG SPECIFICATIONS

AUTOPHIAL COMPONENT FOR UNIT DOSE OVER- WRAP PACKAGING

AutoPhial is the only over-bagger fully integrated with a packager and drug storage warehouse.

The AutoPhial improves pharmacy production enabling barcoded over-wrap of vials, cups, syringes, ampoules and blisters.



Operation

A canister (PhialBox) is placed into the AutoPhial where the information on the RF tag is read and compared to the packaging order for accuracy. AutoPhial unlocks and removes the PhialBox lid and picks the product one at a time, placing it into buffer cups. The cups index into the PillPicker. The product is then placed into a bag produced to match the length of the specific item. The bag is then either automatically placed into storage (DrugNest) or delivered to a container located at the front of the PillPicker.

Manual Packaging

AutoPhial also provides for manual packaging of individual medication for one-of-a-kind or low-volume products. The medication is defined at the control console and a bag is prepared for loading. The operator places the individual dose into a buffer cup and the packaging proceeds as above.

BlisterCutter

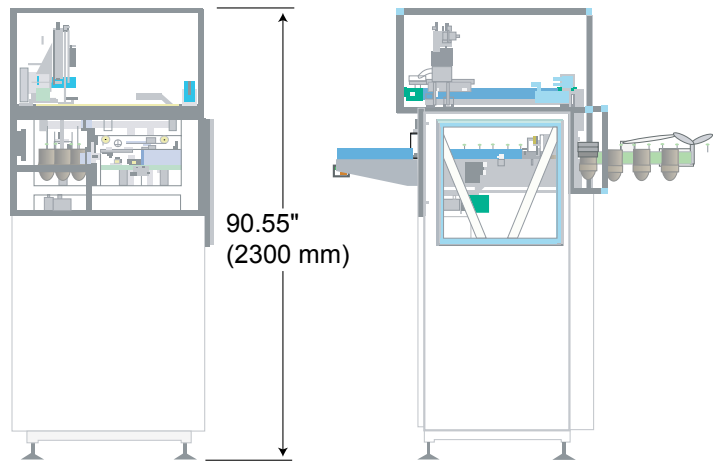
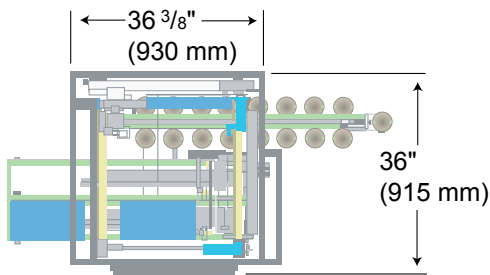
The optional BlisterCutter cuts blister sheets into individual doses for over-wrapping in the PillPicker. Cutting is customizable for various configurations of blister sheets.

AutoPhial Component



AutoPhial Specifications

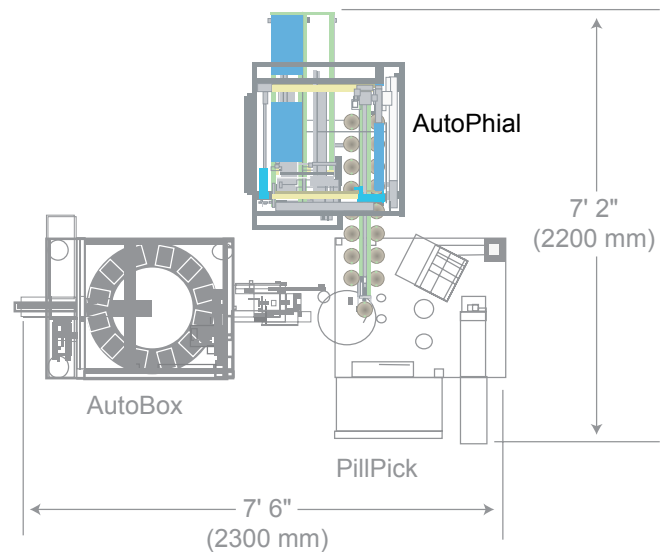
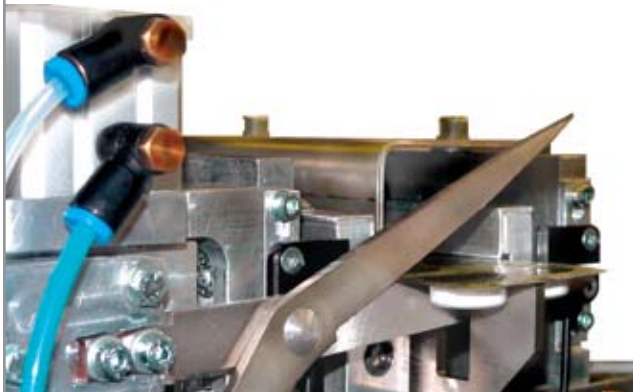
Power Requirements: 460 volt, 3 phase, 2 kW
Compressed Air: 4 CFM
Weight: 440 lbs (200 Kg)
Rate (maximum): 720 units/hr



BlisterCutter Specifications

(BlisterCutter is housed within AutoPhial)

Power Requirements: Supplied from AutoPhial
Compressed Air: .5 CFM @ 5 psi
Weight: 22 lbs (10 Kg)



Due to ongoing improvement programs, Swisslog reserves the right of production or design change without notice or obligation.

For More Information in North America:

Swisslog Healthcare Solutions
Email: healthcare@swisslog.com
USA: (800) 764-0300
Canada: (877) 294-2831 | (905) 629-2400

©2010 Swisslog
CM# PPS-203

WWW.SWISSLOG.COM